

# **HYDRAULIC HOSE**

## **Mining Pathfinder**

Perfect Equipment for Global Tough Guy





# **BRIDGESTONE**

## MP Hose Series

Size	MP08	MP21	MP35	MP40	MP45
06			2W		4S
08			2W		4S
12			4S	4S	
16			6S		
20		4S	6S		
24	1W	4S	6S		
32	2W	4S	6S		
40			6S		
48	4S				

## Contents

● Mining Pathfinder(MP)series	3
MP08 series	3
MP21 series / MP35 series / MP40 series / MP45 series	4
● STAPLE COUPLINGS	5
UB/UZ series / KH series / HW series	5
KN series / EX series / DX series / ST series	6
● STAPLE ADAPTER	7
● 8SA series (Standard Type)	7
8SA01 / 8SA03 / 8SA03R	7
8SA03Y / 8SA21 / 8SA29	8
8SA32F / 8SA35F / 8SA32 / 8SA35	9
8SA34F / 8SA07 / 8SA18 / 8SA19	10
● 8SH series (High Performance Type)	11
8SH01 / 8SH03 / 8SH32F / 8SH35F	11
8SH21 / 8SH29 / 8SH40 / 8SH46	10
8SH08 / 8SH18 / 8SH19	13
● 8SAF series (Flushfit-Slim Type)	14
8SAF01 / 8SAF03 / 8SAF40F / 8SAF08	14









# MP series

- **Adequate Fluid** : Emulsion, Mineral Oil
- **Inner Tube** : Oil Resistant Synthetic Rubber
- **Outer Cover** : Weather and Flame Resistant Synthetic Rubber
- **Approvals** : MSHA MA (Chinese Standard)
- **Temperature Range : Emulsion** : -30°C to +40°C
- **Temperature Range : Mineral Oil** : -30°C to +93°C

*Mining Pathfinder*

**MP08**

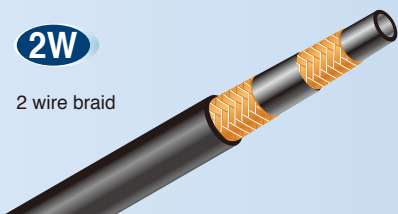
Maximum Working Pressure  
**8.0MPa**

Catalog Number	GB(DIN) Number								
		I.D. mm	O.D. mm	Max.W.P. Mpa(psi)	Min.B.P. Mpa(psi)	Min.B.R. mm	Weight g/m	Reinforcement	Coupling Series
<b>MP0824 *</b>	<b>2SN-38</b>	38.1	50.2	8.0	32.0	400	1,910	2W	HW
<b>MP0832</b>	<b>2SN-51</b>	50.8	67.0			630	2,800		
<b>MP0848</b>	<b>4SP-76</b>	76.2	95.8			750	6,500	4S	DX

\* under development

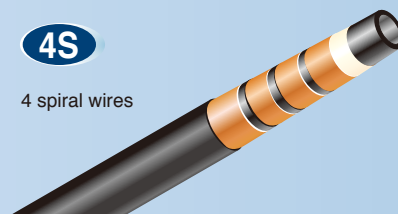
**2W**

2 wire braid











**4S**

4 spiral wires



# MP21









Maximum Working Pressure  
**21.0MPa**

									
Catalog Number	GB(DIN) Number	I.D.	O.D.	Max.W.P.	Min.B.P.	Min.B.R.	Weight	Reinforcement	Coupling Series
		mm	mm	Mpa(psi)	Mpa(psi)	mm	g/m		
<b>MP2120</b>	<b>4SP-31.5(-31)</b>	31.8	45.2	21.0	84.0	360	2,360	4S	UZ
<b>MP2124 *</b>	<b>4SP-38</b>	38.1	52.7			430	3,060		
<b>MP2132 *</b>	<b>4SP-51</b>	50.8	66.0			550	4,150		

\* under development

# MP35









Maximum Working Pressure  
**35.0MPa**

										
Catalog Number	GB(DIN) Number	I.D.	O.D.	Max.W.P.	Min.B.P.	Min.B.R.	Weight	Reinforcement	Coupling Series	
		mm	mm	Mpa(psi)	Mpa(psi)	mm	g/m			
<b>MP3506</b>	<b>2SN-10</b>	9.5	19.2	35.0	140.0	130	550	2W	UB	
<b>MP3508</b>	<b>2SN-12.5(-12)</b>	12.7	22.2			180	700			
<b>MP3512</b>	<b>4SP-19</b>	19.0	29.6			240	1,130	4S		
<b>MP3516</b>	<b>4SP-25</b>	25.4	37.4			300	2,000			
<b>MP3520 *</b>	<b>R13-31.5(-31)</b>	31.8	49.1			400	3,850	6S		
<b>MP3524</b>	<b>R13-38</b>	38.1	56.0			450	4,440			KN
<b>MP3532</b>	<b>R13-51</b>	50.8	75.2			630	8,000			EX
<b>MP3540</b>	<b>R13-64</b>	63.5	87.1			105.0	9,100			ST

\* under development









# MP40

Maximum Working Pressure  
**40.0MPa**

									
Catalog Number	GB(DIN) Number	I.D.	O.D.	Max.W.P.	Min.B.P.	Min.B.R.	Weight	Reinforcement	Coupling Series
		mm	mm	Mpa(psi)	Mpa(psi)	mm	g/m		
<b>MP4012</b>	<b>4SP-19</b>	19.0	30.0	40.0	160.0	280	1,500	4S	UB

# MP45

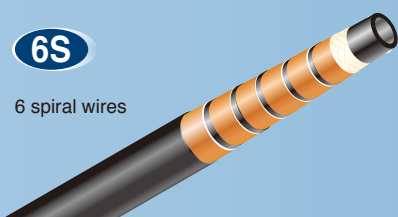
Maximum Working Pressure  
**45.0MPa**

									
Catalog Number	GB(DIN) Number	I.D.	O.D.	Max.W.P.	Min.B.P.	Min.B.R.	Weight	Reinforcement	Coupling Series
		mm	mm	Mpa(psi)	Mpa(psi)	mm	g/m		
<b>MP4506</b>	<b>4SP-10</b>	9.5	20.8	45.0	180.0	180	800	4S	KH
<b>MP4508 *</b>	<b>4SP-12.5(-12)</b>	12.7	23.6			200	930		

\* under development

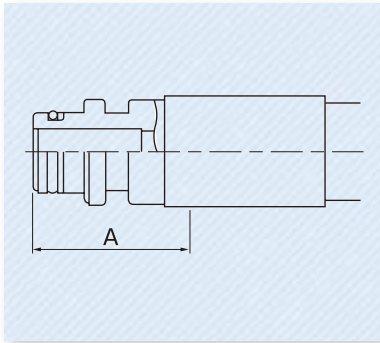
**6S**

6 spiral wires



# STAPLE COUPLINGS

## UB/UZ series



Standard Staple Male

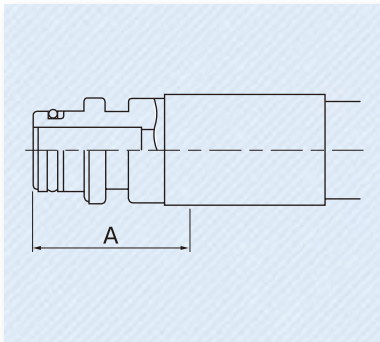
Catalog Number	Hose I.D.		Coupling Size		Cut-Off A	
	DN	inch	DN	inch	mm	inch
<b>UB06B</b>	10	3/8	10	3/8	39	1.54
<b>UB08B</b>	12	1/2	12	1/2	39	1.54
<b>UB12B</b>	20	3/4	20	3/4	36	1.42
<b>UB16B</b>	25	1	25	1	44	1.73
<b>UZ20B</b>	31	1-1/4	31	1-1/4	-	-

High Performance Staple Male

Catalog Number	Hose I.D.		Coupling Size		Cut-Off A	
	DN	inch	DN	inch	mm	inch
<b>UB12B1 *</b>	20	3/4	20	3/4	-	-
<b>UB16B1 *</b>	25	1	25	1	-	-
<b>UB20B1 *</b>	31	1-1/4	31	1-1/4	-	-
<b>UZ20B1 *</b>	31	1-1/4	31	1-1/4	-	-

\* under development

## KH series



Standard Staple Male

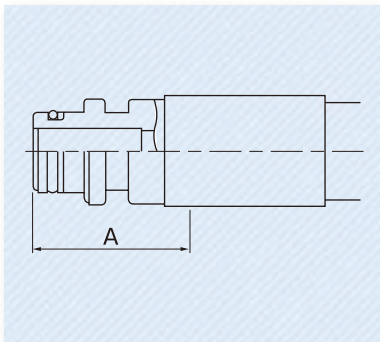
Catalog Number	Hose I.D.		Coupling Size		Cut-Off A	
	DN	inch	DN	inch	mm	inch
<b>KH06B</b>	10	3/8	10	3/8	35	1.38

High Performance Staple Male

Catalog Number	Hose I.D.		Coupling Size		Cut-Off A	
	DN	inch	DN	inch	mm	inch
<b>KH08B1 *</b>	12	1/2	12	1/2	-	-

\* under development

## HW series



Standard Staple Male

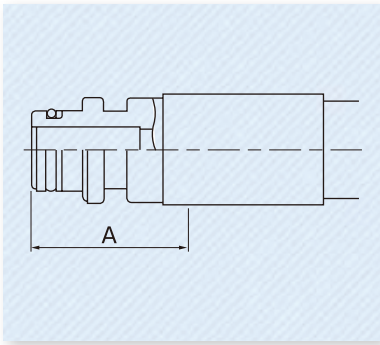
Catalog Number	Hose I.D.		Coupling Size		Cut-Off A	
	DN	inch	DN	inch	mm	inch
<b>HW24B *</b>	40	1-1/2	40	1-1/2	-	-
<b>HW32B</b>	50	2	50	1-1/2	49	1.93

\* under development

High Performance Staple Male

Catalog Number	Hose I.D.		Coupling Size		Cut-Off A	
	DN	inch	DN	inch	mm	inch
<b>HW24B1</b>	40	1-1/2	40	1-1/2	-	-
<b>HW32B1</b>	50	2	50	1-1/2	-	-

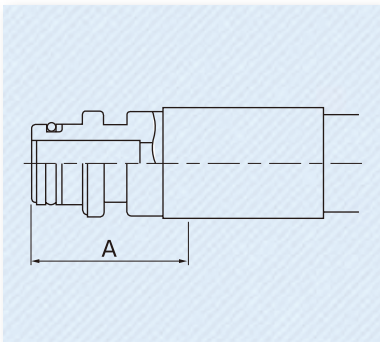
## KN series



High Performance Staple Male

Catalog Number	Hose I.D.		Coupling Size		Cut-Off A	
	DN	inch	DN	inch	mm	inch
<b>KN24B1</b>	40	1-1/2	40	1-1/2	–	–

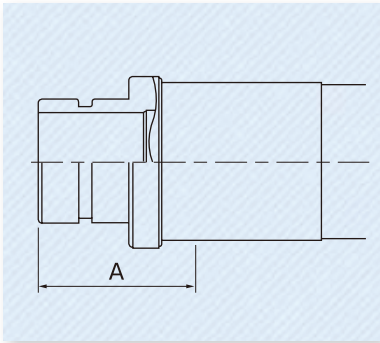
## EX series



High Performance Staple Male

Catalog Number	Hose I.D.		Coupling Size		Cut-Off A	
	DN	inch	DN	inch	mm	inch
<b>EX32B1</b>	50	2	50	1-1/2	96	3.78

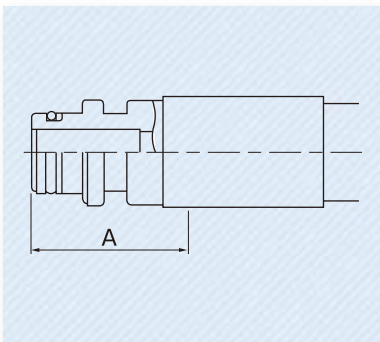
## DX series



Standard Staple Male

Catalog Number	Hose I.D.		Coupling Size		Cut-Off A	
	DN	inch	DN	inch	mm	inch
<b>DX48B3</b>	75	3	75	3	92	3.62

## ST series



High Performance Staple Male

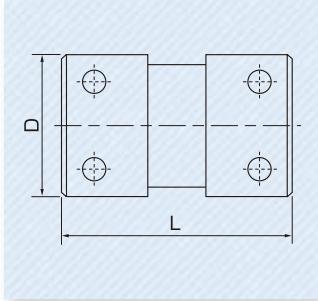
Catalog Number	Hose I.D.		Coupling Size		Cut-Off A	
	DN	inch	DN	inch	mm	inch
<b>ST40B4</b>	65	2-1/4	65	2-1/4	122	4.80

# STAPLE ADAPTER

## 8SA series(Standard Type)

### Straight Fixed Female Adapter

#### 8SA01

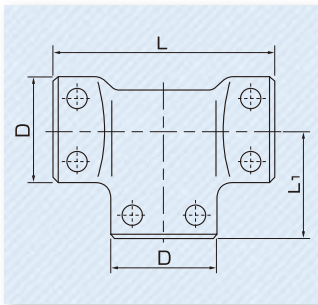


Catalog Number	Nominal Bore			L	D
	dash	inch	DN		
8SA010606	6	3/8	10	58	32
8SA010808	8	1/2	12	59	35
8SA011212	12	3/4	20	59	45
8SA011616	16	1	25	67	55
8SA012020	20	1-1/4	32	67	60
8SA012424	24	1-1/2	40	75	76
8SA013232	32	2	50	75	85

## 8SA series(Standard Type)

### T Peace Fixed Female Adapter

#### 8SA03

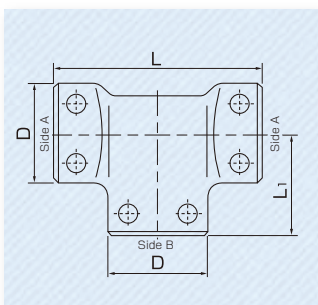


Catalog Number	Nominal Bore			L	L1	D
	dash	inch	DN			
8SA03060606	6	3/8	10	76	38	32
8SA03080808	8	1/2	12	80	40	35
8SA03121212	12	3/4	20	84	42	45
8SA03161616	16	1	25	100	50	55
8SA03202020	20	1-1/4	32	108	54	60
8SA03242424	24	1-1/2	40	136	68	72
8SA03323232	32	2	50	142	71	85

## 8SA series(Standard Type)

### Reducing T Peace Fixed Female Adapter

#### 8SA03R

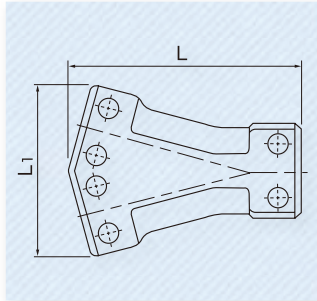


Catalog Number	Nominal Bore						L	D	L1	D1
	Side A			Side B						
	dash	inch	DN	dash	inch	DN				
8SA03080806	8	1/2	12	6	3/8	10	80	35	40	32
8SA03121206	12	3/4	20	6	3/8	10	86	45	43	32
8SA03121208	12	3/4	20	8	1/2	12	86	45	43	35
8SA03161606	16	1	25	6	3/8	10	100	55	50	32
8SA03161608	16	1	25	8	1/2	12	100	55	50	35
8SA03161612	16	1	25	12	3/4	20	100	55	50	45
8SA03202006	20	1-1/4	32	6	3/8	10	108	60	54	32
8SA03202008	20	1-1/4	32	8	1/2	12	108	60	54	35
8SA03202012	20	1-1/4	32	12	3/4	20	108	60	54	45
8SA03202016	20	1-1/4	32	16	1	25	108	60	54	55
8SA03242416	24	1-1/2	40	16	1	25	136	72	68	55
8SA03242420	24	1-1/2	40	20	1-1/4	32	136	72	68	60
8SA03323220	32	2	50	20	1-1/4	32	140	85	70	60
8SA03323224	32	2	50	24	1-1/2	40	140	85	70	72

## 8SA series(Standard Type)

### Y Peace Fixed Female Adapter

## 8SA03Y

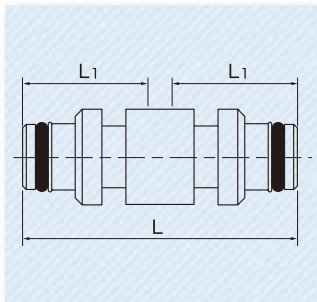


Catalog Number	Nominal Bore			L	L1
	dash	inch	DN		
8SA03Y060606	6	3/8	10	83	62
8SA03Y080808	8	1/2	12	95	70
8SA03Y121212	12	3/4	20	107	80

## 8SA series(Standard Type)

### Double Straight Male Adapter

## 8SA21

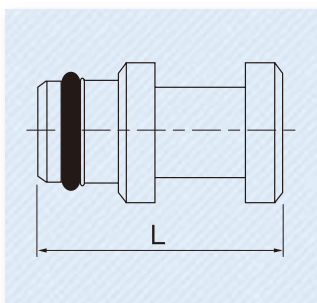


Catalog Number	Nominal Bore			L	L1
	dash	inch	DN		
8SA210404	4	1/4	6	58	26
8SA210606	6	3/8	10	58	26
8SA210808	8	1/2	12	58	26
8SA211212	12	3/4	20	58	26
8SA211616	16	1	25	69	32
8SA212020	20	1-1/4	32	69	32
8SA212424	24	1-1/2	40	80	36
8SA213232	32	2	50	80	36

## 8SA series(Standard Type)

### Male End Plug Adapter

## 8SA29



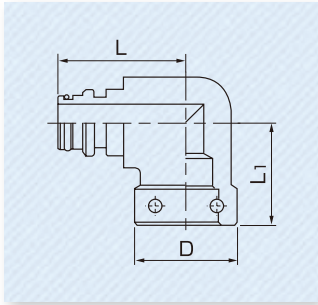
Catalog Number	Nominal Bore			L
	dash	inch	DN	
8SA2904	4	1/4	6	34
8SA2906	6	3/8	10	34
8SA2908	8	1/2	12	34
8SA2912	12	3/4	20	34
8SA2916	16	1	25	41
8SA2920	20	1-1/4	32	41
8SA2924	24	1-1/2	40	47
8SA2932	32	2	50	47

# STAPLE ADAPTER

## 8SA series(Standard Type)

### 90°Male-Fixed Female Adapter

## 8SA32F

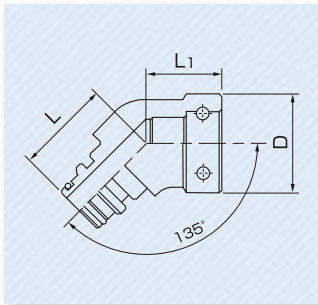


Catalog Number	Nominal Bore			L	L <sub>1</sub>	D
	dash	inch	DN			
8SA32F0606	6	3/8	10	46	32	32
8SA32F0808	8	1/2	12	51	35	35
8SA32F1212	12	3/4	20	56	40	45
8SA32F1616	16	1	25	66	48	55
8SA32F2020	20	1-1/4	32	68	55	60

## 8SA series(Standard Type)

### 135°Male-Fixed Female Adapter

## 8SA35F

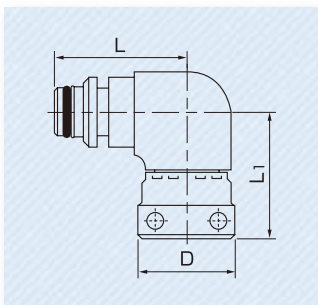


Catalog Number	Nominal Bore			L	L <sub>1</sub>	D
	dash	inch	DN			
8SA35F0606	6	3/8	10	39	31	32
8SA35F0808	8	1/2	12	39	34	35
8SA35F1212	12	3/4	20	43	34	45

## 8SA series(Standard Type)

### 90°Male-Swivel Female Adapter

## 8SA32

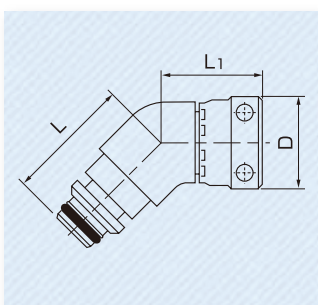


Catalog Number	Nominal Bore			L	L <sub>1</sub>	D
	dash	inch	DN			
8SA32F0606	6	3/8	10	46	44	32
8SA32F0808	8	1/2	12	51	48	35
8SA32F1212	12	3/4	20	56	57	45
8SA32F1616	16	1	25	66	68	60
8SA32F2020	20	1-1/4	32	68	68	60

## 8SA series(Standard Type)

### 90°Male-Swivel Female Adapter

## 8SA35

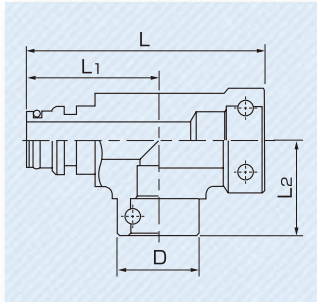


Catalog Number	Nominal Bore			L	L <sub>1</sub>	D
	dash	inch	DN			
8SA32F0606	6	3/8	10	40	39	32
8SA32F0808	8	1/2	12	40	40	35
8SA32F1212	12	3/4	20	43	47	45
8SA32F1616	16	1	25	52	54	60
8SA32F2020	20	1-1/4	32	52	54	60

## 8SA series(Standard Type)

### Male-L Fixed Female Adapter

# 8SA34F

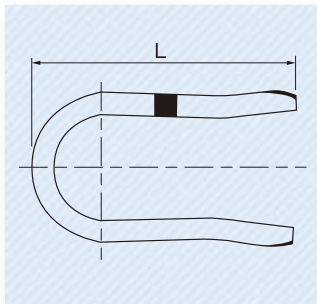


Catalog Number	Nominal Bore			L	L <sub>1</sub>	L <sub>2</sub>	D
	dash	inch	DN				
8SA34F060606	6	3/8	10	85	48	32	32
8SA34F080808	8	1/2	12	93	51	35	35
8SA34F121212	12	3/4	20	96	53	40	45
8SA34F161616	16	1	25	119	66	48	55

## 8SA series(Standard Type)

### Standard Staple

# 8SA07

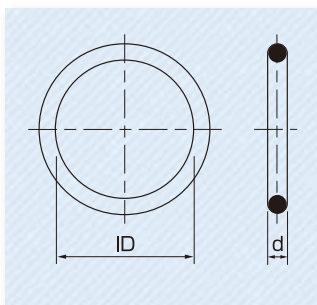


Catalog Number	Nominal Bore			L
	dash	inch	DN	
8SA0706	6	3/8	10	42
8SA0708	8	1/2	12	48
8SA0712	12	3/4	20	55
8SA0716	16	1	25	74
8SA0720	20	1-1/4	32	83
8SA0724FL	24	1-1/2	40	85
8SA0732FL	32	2	50	95

## 8SA series

### Male End O-Ring

# 8SA18

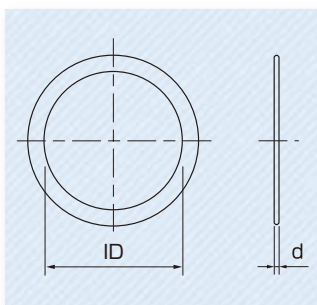


Catalog Number	Nominal Bore			ID	d
	dash	inch	DN		
8SA1806	6	3/8	10	10	2
8SA1808	8	1/2	12	13	2.5
8SA1812	12	3/4	20	19	2.5
8SA1816	16	1	25	25	2.5
8SA1820	20	1-1/4	32	33	2.5
8SA1824	24	1-1/2	40	40	3
8SA1832	32	2	50	49	3
8SA1840	40	2-1/2	65	72	3
8SA1848	48	3	45	80	3

## 8SA series

### Male End Buck-Up Ring

# 8SA19



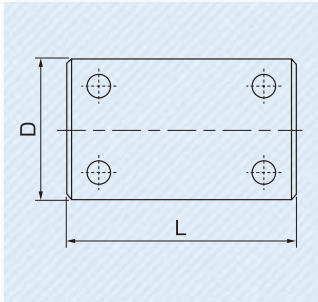
Catalog Number	Nominal Bore			ID	d
	dash	inch	DN		
8SA1904	4	1/4	6	10	0.8
8SA1906	6	3/8	10	14	0.8
8SA1908	8	1/2	12	18	0.8
8SA1912	12	3/4	20	24	0.8
8SA1916	16	1	25	31	0.8
8SA1920	20	1-1/4	32	38	0.8
8SA1924	24	1-1/2	40	47	1.5
8SA1932	32	2	50	56	1.5

# STAPLE ADAPTER

## 8SH series (High Performance Type)

### Straight Fixed Female Adapter

#### 8SH01

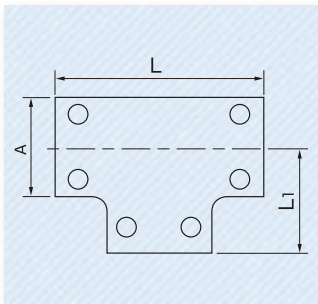


Catalog Number	Nominal Bore			L	D
	dash	inch	DN		
8SH011616	16	1	25	104	60
8SH012020	20	1-1/4	32	106	70
8SH012424	24	1-1/2	40	117	80
8SH013232	32	2	50	117	90

## 8SH series (High Performance Type)

### T Peace Fixed Female Adapter

#### 8SH03

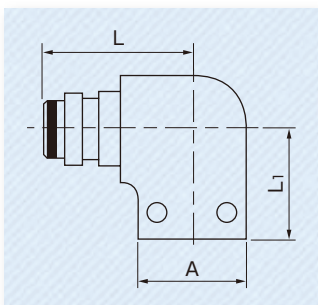


Catalog Number	Nominal Bore			L	L1	A
	dash	inch	DN			
8SH03202020	20	1-1/4	32	156	78	70
8SH03242424	24	1-1/2	40	166	83	80
8SH03323232	32	2	50	176	88	90

## 8SH series (High Performance Type)

### 90° Male-Fixed Female Adapter

#### 8SH32F

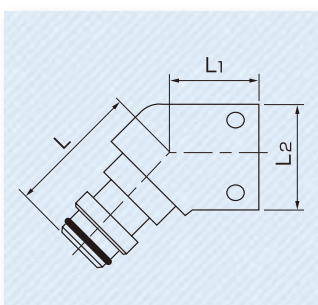


Catalog Number	Nominal Bore			L	L1	A
	dash	inch	DN			
8SH32F1212	12	3/4	20	61	66	45
8SH32F1616	16	1	25	83	85	60
8SH32F2020	20	1-1/4	32	101	78	70
8SH32F2424	24	1-1/2	40	114	83	82
8SH32F3232	32	2	50	114	90	90

## 8SH series (High Performance Type)

### 135° Male-Fixed Female Adapter

#### 8SH35F

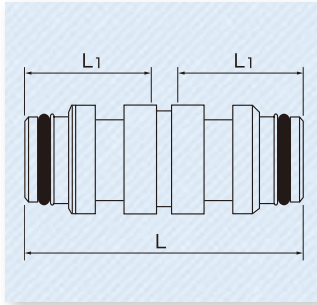


Catalog Number	Nominal Bore			L	L1	L2
	dash	inch	DN			
8SH03202020	20	1-1/4	32	70	64	70
8SH03242424	24	1-1/2	40	78	64	80
8SH03323232	32	2	50	98	76	90

## 8SH series (High Performance Type)

### Double Straight Male Adapter

# 8SH21

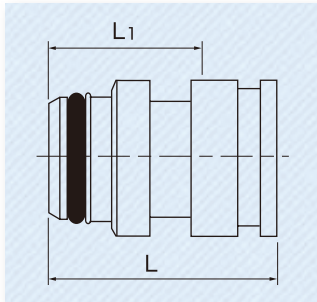


Catalog Number	Nominal Bore			L	L <sub>1</sub>
	dash	inch	DN		
8SH211212	12	3/4	20	81	36
8SH211616	16	1	25	110	51
8SH212020	20	1-1/4	32	110	52
8SH212424	24	1-1/2	40	124	56
8SH213232	32	2	50	124	58

## 8SH series (High Performance Type)

### Male End Plug Adapter

# 8SH29

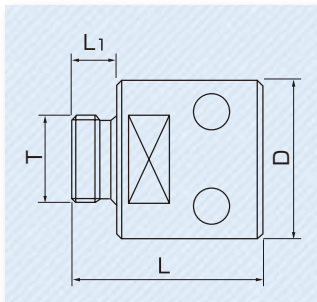


Catalog Number	Nominal Bore			L	L <sub>1</sub>
	dash	inch	DN		
8SH2912	12	3/4	20	45	36
8SH2916	16	1	25	61	51
8SH2920	20	1-1/4	32	64	52
8SH2924	24	1-1/2	40	71	57
8SH2932	32	2	50	71	58

## 8SH series (High Performance Type)

### BSP Male Flat Face-Fixed Female Adapter

# 8SH40

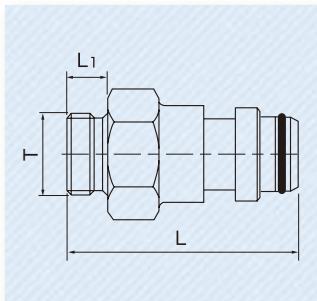


Catalog Number	Thread(T)	Nominal Bore			L	L <sub>1</sub>	D	AF
		dash	inch	DN				
8SH40F2020	1-1/4"BSP	20	1-1/4	32	90	19	70	60
8SH40F2424	1-1/2"BSP	24	1-1/2	40	100	19	80	70
8SH40F3232	2"BSP	32	2	50	100	23	90	80

## 8SH series (High Performance Type)

### BSP Male Flat Face-Male Adapter

# 8SH46



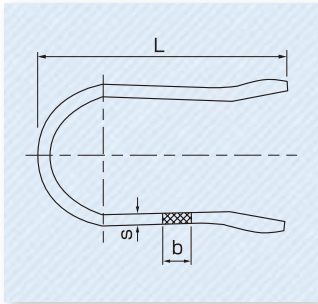
Catalog Number	Thread(T)	Nominal Bore			L	L <sub>1</sub>	AF
		dash	inch	DN			
8SH462020	1-1/4"BSP	20	1-1/4	32	94	19	50
8SH462424	1-1/2"BSP	24	1-1/2	40	100	19	60
8SH463232	2"BSP	32	2	50	104	23	70

# STAPLE ADAPTER

## 8SH series (High Performance Type)

### Staple For SH series

## 8SH08

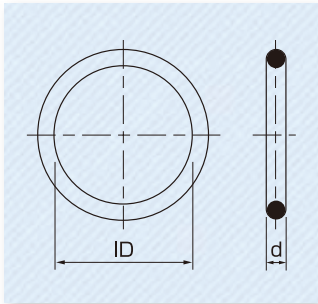


Catalog Number	Nominal Bore			s	b	L
	dash	inch	DN			
8SH0812	12	3/4	20	4	8	56
8SH0816	16	1	25	6	12	78
8SH0820	20	1-1/4	32	6	12	84
8SH0824	24	1-1/2	40	6	12	99
8SH0832	32	2	50	6	12	105

## 8SH series

### Male End O-Ring

## 8SH18

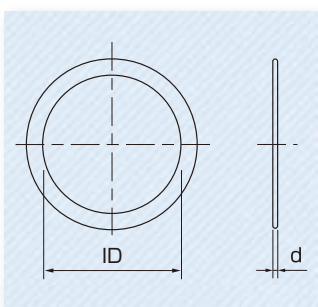


Catalog Number	Nominal Bore			ID	d
	dash	inch	DN		
8SH1812	12	3/4	20	18	2.5
8SH1816	16	1	25	25	2.5
8SH1820	20	1-1/4	32	33	2.5
8SH1824	24	1-1/2	40	38	3
8SH1832	32	2	50	44	3

## 8SH series

### Male End Buck-Up Ring

## 8SH19

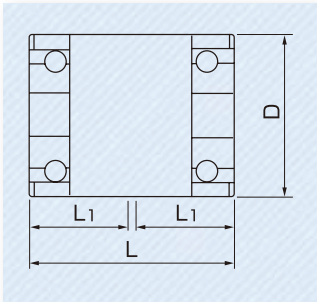


Catalog Number	Nominal Bore			ID	d
	dash	inch	DN		
8SH1912	12	3/4	20	22	0.8
8SH1916	16	1	25	31	0.8
8SH1920	20	1-1/4	32	38	0.8
8SH1924	24	1-1/2	40	44	1.5
8SH1932	32	2	50	50	1.5

## 8SAF series (Flushfit-Slim Type)

### Flushfit Female Adapter

# 8SAF01

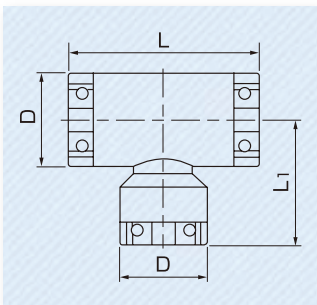


Catalog Number	Nominal Bore			L	L <sub>1</sub>	D
	dash	inch	DN			
<b>8SAF013232</b>	32	2	50	78	37	76
<b>8SAF014040</b>	40	2-1/2	65	106	50	106

## 8SAF series (Flushfit-Slim Type)

### T Peace Flushfit Female Adapter

# 8SAF03

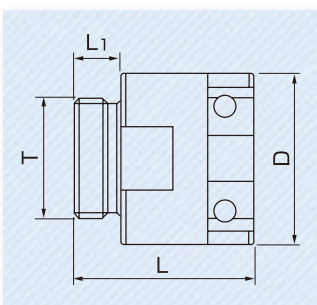


Catalog Number	Nominal Bore			L	L <sub>1</sub>	D
	dash	inch	DN			
<b>8SAF03323232</b>	32	2	50	170	125	98
<b>8SAF03404040</b>	40	2-1/2	65	200	132	106

## 8SAF series (Flushfit-Slim Type)

### BSP Male Flat Face-Flushfit Fixed Female Adapter

# 8SAF40F

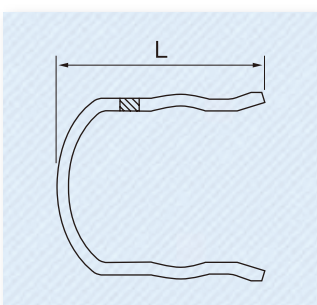


Catalog Number	Thread(T)	Nominal Bore			L	L <sub>1</sub>	D
		dash	inch	DN			
<b>8SAF40F3232</b>	2"BSP	32	2	50	70	23	76
<b>8SAF40F4040</b>	2-1/2"BSP	40	2-1/2	65	87	27	106

## 8SAF series (Flushfit-Slim Type)

### Flushfit Staple

# 8SAF08



Catalog Number	Nominal Bore			Section	L
	dash	inch	DN		
<b>8SAF0832</b>	32	2	50	8x4	72
<b>8SAF0840</b>	40	2-1/2	65	8x5	90

※VISIT OUR WEBSITE



<http://www.bridgestone.com>



[Home]



<http://www.bridgestone.com/products/diversified/>



[Products→Diversified Products]



<http://www.bs-hose.jp/en/>



[Industrial Products→Hydraulic Hose]

## BRIDGESTONE CORPORATION

### Hose Sales & Marketing Department

10-1 Kyobashi 1-chome, Chuo-ku, Tokyo 104-8340, Japan  
Phone: +81 3-5202-6883 Fax: +81 3-5202-6886

#### Sales Company

##### **Bridgestone Industrial Limited.**

2nd Floor West, CP House, 97-107  
Uxbridge Road, Ealing London, W5 5TL, U.K.  
Phone : +44 20-8567-8080 Fax : +44 20-8567-2066

##### **Bridgestone Engineered Products of Asia, SDN, BHD**

L1-E-3B, Enterprize 4, Technology Park Malaysia,  
Lebuhraya Puchong - SG. Besi,  
Bukit Jalil, 57000 Kuala Lumpur, Malaysia.  
Phone : +60 3-89962670 Fax : +60 3-89962680

##### **Bridgestone Diversified Products East Co.,Ltd.**

2nd Floor Nihombashi Hirose Building  
1-17 Nihonbashi, 3-chome, Chuo-ku,  
Tokyo 103-0027, Japan  
Phone: +81 3-3517-2510 Fax : +81 3-3517-2513

##### **Bridgestone Industrial Products America, Inc**

402 BNA Drive, Suite 212, Nashville, TN 37217 U.S.A.  
Phone: +1-615-365-0600 Fax : +1-615-365-9946

##### **Bridgestone Diversified Products (China) Co.,Ltd.**

Rm.1016 Genway Bldg, No.188 Wangdun Road,  
Suzhou Industrial Park, Suzhou, Jiangsu 215123  
Phone: +86-512-6258-1088 Fax: +86-512-6258-5808 or 5828

##### **Bridgestone Engineered Products of Asia (Australia)**

17/27 Old Great Northern Highway, Midland WA 6056, Australia  
Phone: +61-8-9250-0600 Fax : +61-8-9250-0601